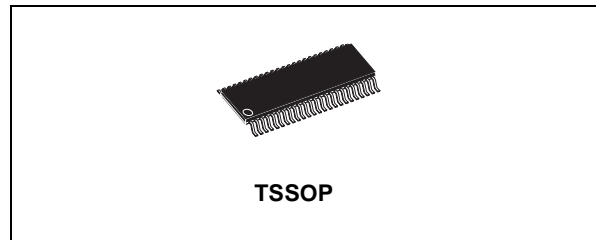




74LVX16244

16-BIT BUS BUFFER (NON INVERTED) WITH 3-STATE OUTPUTS, 5V TOLERANT INPUT

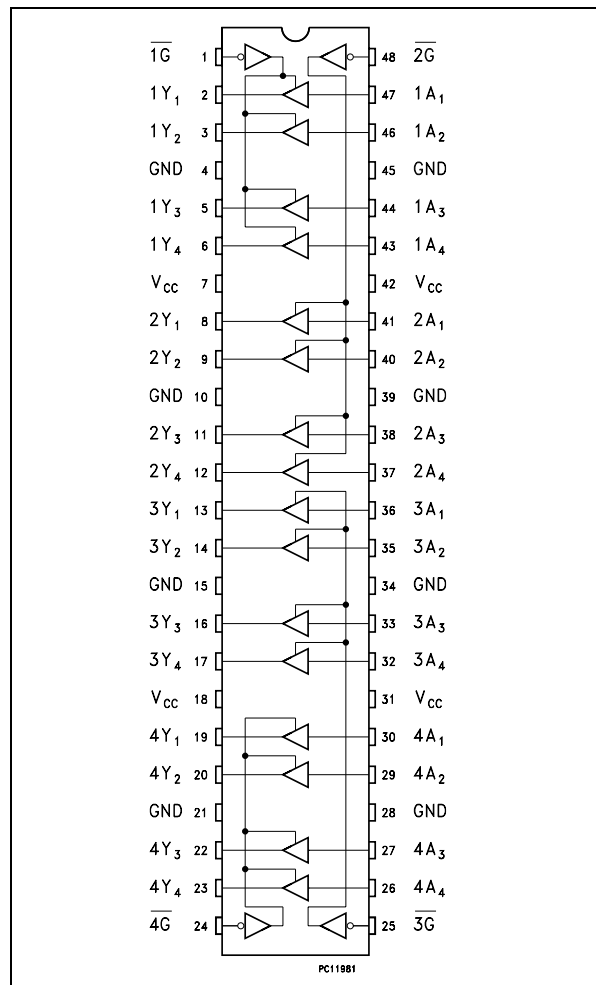
- HIGH SPEED: $t_{PD} = 5.3 \text{ ns}$ (TYP.) at $V_{CC} = 3V$
- 5V TOLERANT INPUT
- LOW POWER DISSIPATION:
 $I_{CC} = 4 \mu\text{A}$ (MAX.) at $T_A = 25^\circ\text{C}$
- INPUT VOLTAGE LEVEL : $V_{IL} = 0.8$, $V_{IH} = 2V$
AT $V_{CC} = 3V$
- POWER DOWN PROTECTION ON INPUTS
& OUTPUTS
- SYMMETRICAL OUTPUT IMPEDANCE:
 $|I_{OH}| = I_{OL} = 4 \text{ mA}$ (MIN)
- BALANCED PROPAGATION DELAYS:
 $t_{PLH} \approx t_{PHL}$
- OPERATING VOLTAGE RANGE:
 $V_{CC}(\text{OPR}) = 2V$ to $3.6V$ (1.2V Data Retention)
- IMPROVED LATCH-UP IMMUNITY
- LOW NOISE: $V_{OLP} = 0.3V$ (TYP.) AT $V_{CC} = 3V$



ORDER CODES

| PACKAGE | TUBE | T & R |
|---------|------|---------------|
| TSSOP | | 74LVX16244TTR |

PIN CONNECTION



DESCRIPTION

The 74LVX16244 is an advanced high-speed CMOS 16-BIT BUS BUFFER (3-STATE) fabricated with sub-micron silicon gate and double-layer metal wiring C²MOS technology.

Any \overline{nG} output control governs four BUS BUFFERS. Output Enable inputs (\overline{nG}) tied together give full 16 bit operation.

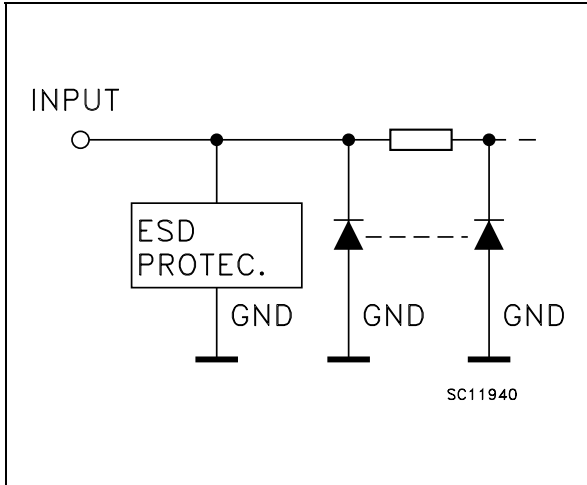
When \overline{nG} is LOW, the outputs are enabled. When \overline{nG} is HIGH, the output are in high impedance state.

The device is designed to be used with 3-state memory address drivers, etc.

Power down protection is provided on all inputs and outputs and 0 to 7V can be accepted on inputs with no regard to the supply voltage. This device can be used to interface 5V to 3V.

All inputs and outputs are equipped with protection circuits against static discharge, giving them 2KV ESD immunity and transient excess voltage.

INPUT EQUIVALENT CIRCUIT



PIN DESCRIPTION

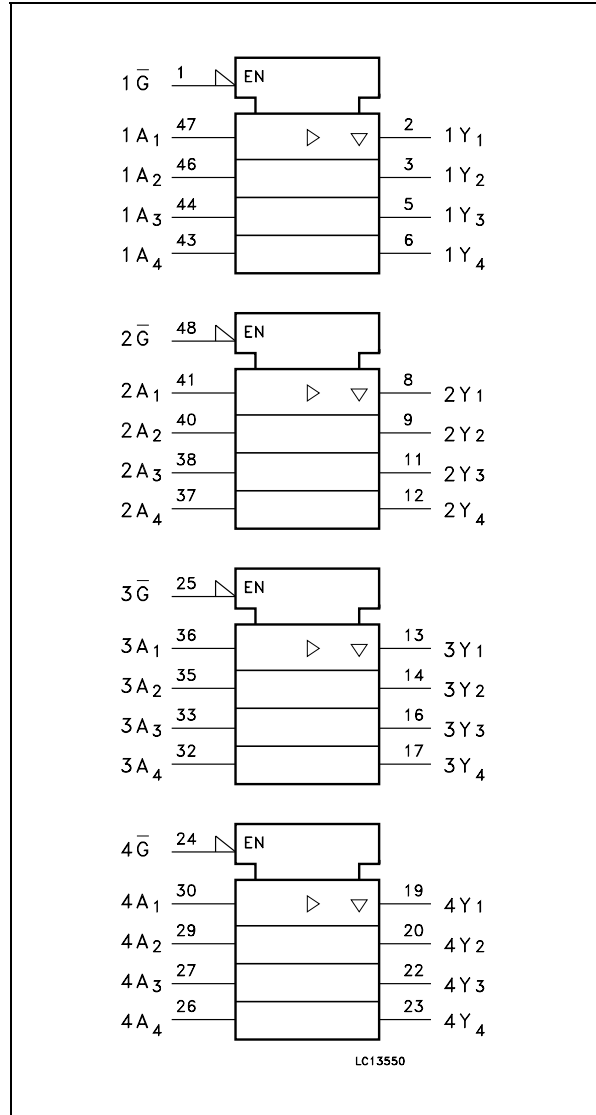
| PIN No | SYMBOL | NAME AND FUNCTION |
|-------------------------------|-----------------|-------------------------|
| 1 | 1G | Output Enable Input |
| 2, 3, 5, 6 | 1Y1 to 1Y4 | Data Outputs |
| 8, 9, 11, 12 | 2Y1 to 2Y4 | Data Outputs |
| 13, 14, 16, 17 | 3Y1 to 3Y4 | Data Outputs |
| 19, 20, 22, 23 | 4Y1 to 4Y4 | Data Outputs |
| 24 | 4G | Output Enable Input |
| 25 | 3G | Output Enable Input |
| 30, 29, 27, 26 | 4A1 to 4A4 | Data Outputs |
| 36, 35, 33, 32 | 3A1 to 3A4 | Data Outputs |
| 41, 40, 38, 37 | 2A1 to 2A4 | Data Outputs |
| 47, 46, 44, 43 | 1A1 to 1A4 | Data Outputs |
| 48 | 2G | Output Enable Input |
| 4, 10, 15, 21, 28, 34, 39, 45 | GND | Ground (0V) |
| 7, 18, 31, 42 | V _{CC} | Positive Supply Voltage |

TRUTH TABLE

| INPUTS | | OUTPUT |
|-----------|----------------|----------------|
| \bar{G} | A _n | Y _n |
| L | L | L |
| L | H | H |
| H | X | Z |

X : Don't Care
Z : High Impedance

IEC LOGIC SYMBOLS



ABSOLUTE MAXIMUM RATINGS

| Symbol | Parameter | Value | Unit |
|-----------------------|-------------------------------|------------------------|------|
| V_{CC} | Supply Voltage | -0.5 to +7.0 | V |
| V_I | DC Input Voltage | -0.5 to +7.0 | V |
| V_O | DC Output Voltage | -0.5 to $V_{CC} + 0.5$ | V |
| I_{IK} | DC Input Diode Current | - 20 | mA |
| I_{OK} | DC Output Diode Current | ± 20 | mA |
| I_O | DC Output Current | ± 25 | mA |
| I_{CC} or I_{GND} | DC V_{CC} or Ground Current | ± 50 | mA |
| T_{stg} | Storage Temperature | -65 to +150 | °C |
| T_L | Lead Temperature (10 sec) | 300 | °C |

Absolute Maximum Ratings are those values beyond which damage to the device may occur. Functional operation under these conditions is not implied

RECOMMENDED OPERATING CONDITIONS

| Symbol | Parameter | Value | Unit |
|----------|--|---------------|------|
| V_{CC} | Supply Voltage (note 1) | 2 to 3.6 | V |
| V_I | Input Voltage | 0 to 5.5 | V |
| V_O | Output Voltage | 0 to V_{CC} | V |
| T_{op} | Operating Temperature | -55 to 125 | °C |
| dt/dv | Input Rise and Fall Time (note 2) ($V_{CC} = 3.0$) | 0 to 100 | ns/V |

1) Truth Table guaranteed: 1.2 to 3.6V

2) V_{IN} from 0.8 to 2.0V

DC SPECIFICATIONS

| Symbol | Parameter | Test Condition | | | Value | | | | | | Unit | |
|-----------------|---------------------------------------|------------------------|--|--|-----------------------|------|-------|-------------|-------|--------------|-------|------|
| | | V _{CC} (V) | | | T _A = 25°C | | | -40 to 85°C | | -55 to 125°C | | |
| | | | | | Min. | Typ. | Max. | Min. | Max. | Min. | | Max. |
| V _{IH} | High Level Input Voltage | 2.0 | | | 1.5 | | | 1.5 | | 1.5 | | V |
| | | 3.0 | | | 2.0 | | | 2.0 | | 2.0 | | |
| | | 3.6 | | | 2.4 | | | 2.4 | | 2.4 | | |
| V _{IL} | Low Level Input Voltage | 2.0 | | | | | 0.5 | | 0.5 | | 0.5 | V |
| | | 3.0 | | | | | 0.8 | | 0.8 | | 0.8 | |
| | | 3.6 | | | | | 0.8 | | 0.8 | | 0.8 | |
| V _{OH} | High Level Output Voltage | 2.0 | I _O =-50 μA | | 1.9 | 2.0 | | 1.9 | | 1.9 | | V |
| | | 3.0 | I _O =-50 μA | | 2.9 | 3.0 | | 2.9 | | 2.9 | | |
| | | 3.0 | I _O =-4 mA | | 2.58 | 4.5 | | 2.48 | | 2.4 | | |
| V _{OL} | Low Level Output Voltage | 2.0 | I _O =50 μA | | | 0.0 | 0.1 | | 0.1 | | 0.1 | V |
| | | 3.0 | I _O =50 μA | | | 0.0 | 0.1 | | 0.1 | | 0.1 | |
| | | 3.0 | I _O =4 mA | | | | 0.36 | | 0.44 | | 0.55 | |
| I _{oz} | High Impedance Output Leakage Current | 3.6 | V _I = V _{IH} or V _{IL} V _O = V _{CC} or GND | | | | ±0.25 | | ± 2.5 | | ± 2.5 | μA |
| I _I | Input Leakage Current | 3.6 | V _I = 5V or GND | | | | ± 0.1 | | ± 1 | | ± 1 | μA |
| I _{CC} | Quiescent Supply Current | 3.6 | V _I = V _{CC} or GND | | | | 4 | | 40 | | 40 | μA |

AC ELECTRICAL CHARACTERISTICS (Input t_r = t_f = 3ns)

| Symbol | Parameter | Test Condition | | | Value | | | | | | Unit | |
|--|---------------------------------------|------------------------|------------------------|----------------------|-----------------------|------|------|-------------|------|--------------|------|------|
| | | V _{CC} (V) | C _L (pF) | | T _A = 25°C | | | -40 to 85°C | | -55 to 125°C | | |
| | | | | | Min. | Typ. | Max. | Min. | Max. | Min. | | Max. |
| t _{pLH} t _{pHL} | Propagation Delay Time | 2.7 | 15 | | | 6.1 | 11.4 | 1.0 | 13.5 | 1.0 | 15.0 | ns |
| | | 2.7 | 50 | | | 8.6 | 14.9 | 1.0 | 17.0 | 1.0 | 18.0 | |
| | | 3.3 ^(*) | 15 | | | 5.3 | 8.4 | 1.0 | 10.0 | 1.0 | 10.0 | |
| | | 3.3 ^(*) | 50 | | | 7.8 | 11.9 | 1.0 | 13.5 | 1.0 | 13.5 | |
| t _{pZL} t _{pZH} | Output Enable Time | 2.7 | 15 | R _L = 1KΩ | | 7.1 | 13.8 | 1.0 | 16.5 | 1.0 | 17.5 | ns |
| | | 2.7 | 50 | R _L = 1KΩ | | 9.6 | 17.3 | 1.0 | 20.0 | 1.0 | 21.0 | |
| | | 3.3 ^(*) | 15 | R _L = 1KΩ | | 6.6 | 10.6 | 1.0 | 12.5 | 1.0 | 12.5 | |
| | | 3.3 ^(*) | 50 | R _L = 1KΩ | | 9.1 | 14.1 | 1.0 | 16.0 | 1.0 | 16.0 | |
| t _{pLZ} t _{pHZ} | Output Disable Time | 2.7 | 50 | R _L = 1KΩ | | 11.6 | 16.0 | 1.0 | 19.0 | 1.0 | 20.5 | ns |
| | | 3.3 ^(*) | 50 | R _L = 1KΩ | | 10.3 | 14.0 | 1.0 | 16.0 | 1.0 | 16.0 | |
| t _{OSLH} t _{OSHL} | Output to Output Skew Time (note 1,2) | 2.7 | 50 | | | 0.5 | 1.0 | | 1.5 | | 1.5 | ns |
| | | 3.3 ^(*) | 50 | | | 0.5 | 1.0 | | 1.5 | | 1.5 | |

(*) Voltage range is 3.3V ± 0.3V

Note 1 : Parameter guaranteed by design. t_{soLH} = |t_{pLHm} - t_{pLHn}|; t_{soHL} = |t_{pHLm} - t_{pHLn}|

CAPACITIVE CHARACTERISTICS

| Symbol | Parameter | Test Condition | | | Value | | | | | | Unit | |
|------------------|--|------------------------|-------------------------|--|-----------------------|------|------|-------------|------|--------------|------|------|
| | | V _{CC} (V) | | | T _A = 25°C | | | -40 to 85°C | | -55 to 125°C | | |
| | | | | | Min. | Typ. | Max. | Min. | Max. | Min. | | Max. |
| C _{IN} | Input Capacitance | | | | | 6 | 10 | | 10 | | 10 | pF |
| C _{OUT} | Output Capacitance | | | | | 8 | | | | | | pF |
| C _{PD} | Power Dissipation Capacitance (note 1) | 3.0 | f _{IN} = 10MHz | | | 20 | | | | | | pF |

1) C_{PD} is defined as the value of the IC's internal equivalent capacitance which is calculated from the operating current consumption without load. (Refer to Test Circuit). Average operating current can be obtained by the following equation. $I_{CC(oper)} = C_{PD} \times V_{CC} \times f_{IN} + I_{CC}/16$ (per circuit)

DYNAMIC SWITCHING CHARACTERISTICS

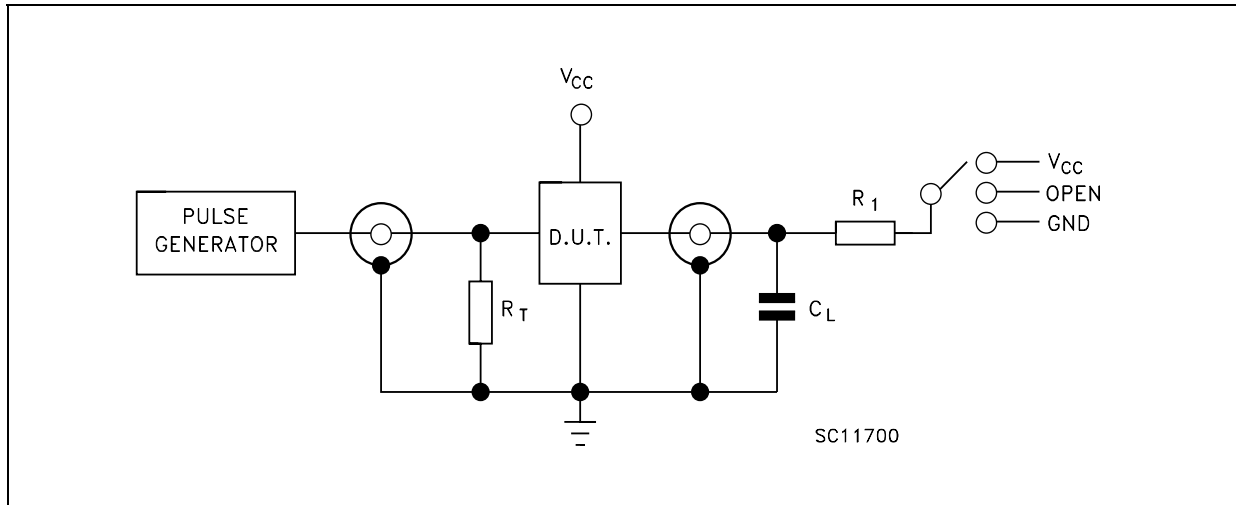
| Symbol | Parameter | Test Condition | | | Value | | | | | | Unit | |
|------------------|--|------------------------|------------------------|------|-----------------------|------|------|-------------|------|--------------|------|------|
| | | V _{CC} (V) | | | T _A = 25°C | | | -40 to 85°C | | -55 to 125°C | | |
| | | | | | Min. | Typ. | Max. | Min. | Max. | Min. | | Max. |
| V _{OLP} | Dynamic Low Voltage Quiet Output (note 1, 2) | 3.3 | C _L = 50 pF | | 0.3 | 0.8 | | | | | | V |
| V _{OLV} | | | | -0.8 | -0.3 | | | | | | | |
| V _{IHD} | Dynamic High Voltage Input (note 1, 3) | 3.3 | | 2.0 | | | | | | | | V |
| V _{ILD} | Dynamic Low Voltage Input (note 1, 3) | 3.3 | | | | 0.8 | | | | | | V |

1) Worst case package.

2) Max number of outputs defined as (n). Data inputs are driven 0V to 3.3V, (n-1) outputs switching and one output at GND.

3) Max number of data inputs (n) switching. (n-1) switching 0V to 3.3V. Inputs under test switching: 3.3V to threshold (V_{ILD}), 0V to threshold (V_{IHD}), f=1MHz.

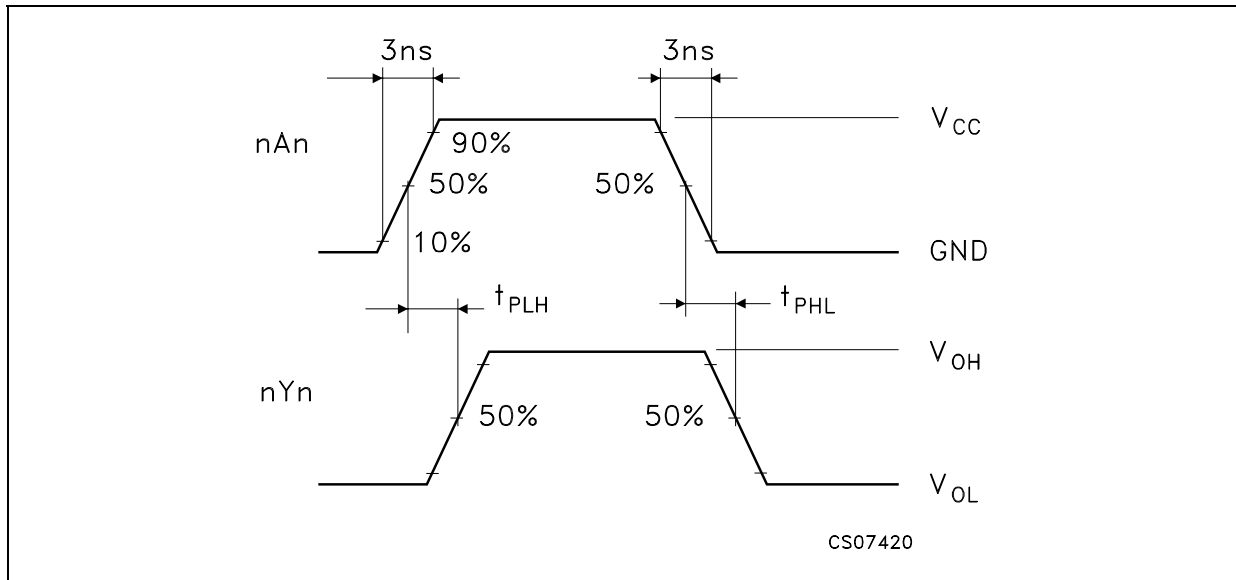
TEST CIRCUIT



| TEST | SWITCH |
|-----------------------|----------|
| t_{PLH} , t_{PHL} | Open |
| t_{PZL} , t_{PLZ} | V_{CC} |
| t_{PZH} , t_{PHZ} | GND |

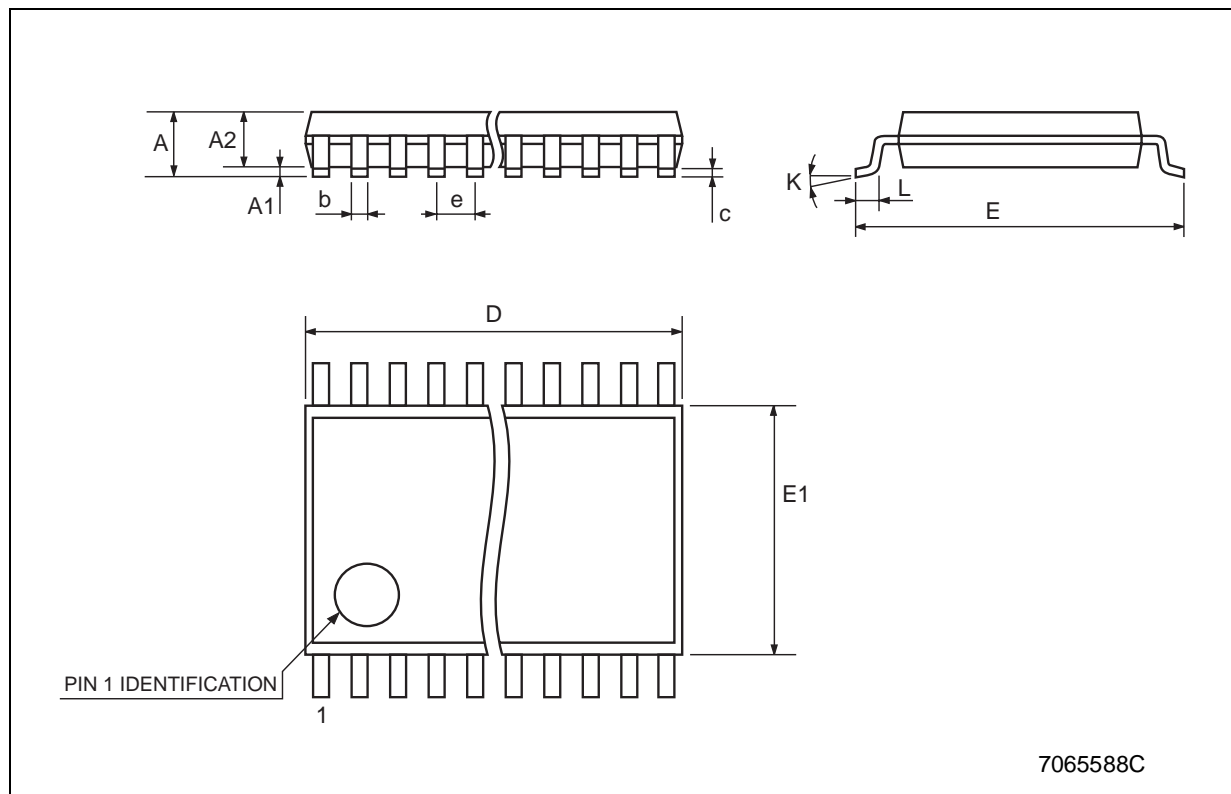
$C_L = 15/50\text{pF}$ or equivalent (includes jig and probe capacitance)
 $R_L = R_1 = 1\text{K}\Omega$ or equivalent
 $R_T = Z_{OUT}$ of pulse generator (typically 50Ω)

WAVEFORM 1: PROPAGATION DELAYS (f=1MHz; 50% duty cycle)



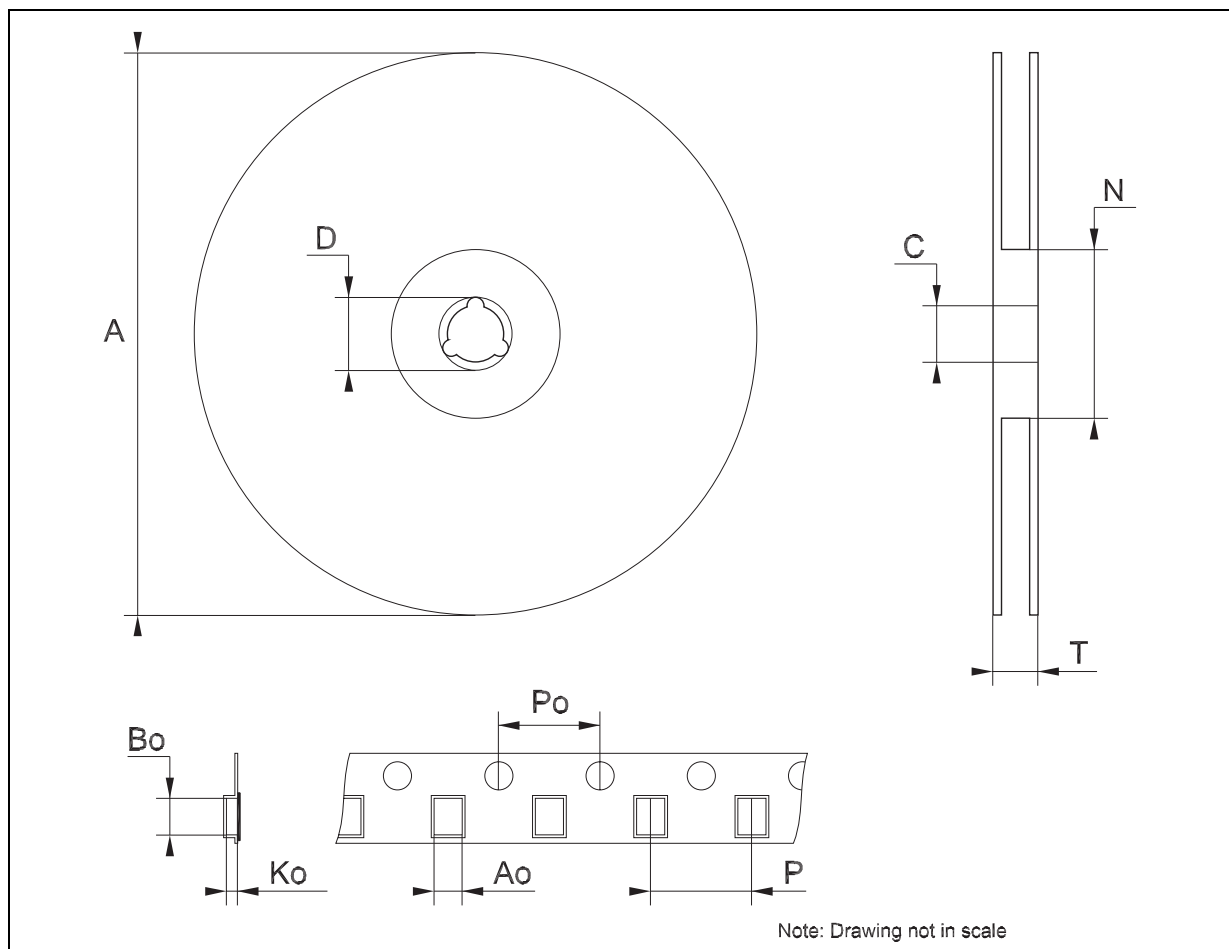
TSSOP48 MECHANICAL DATA

| DIM. | mm. | | | inch | | |
|------|------|---------|------|--------|------------|--------|
| | MIN. | TYP | MAX. | MIN. | TYP. | MAX. |
| A | | | 1.2 | | | 0.047 |
| A1 | 0.05 | | 0.15 | 0.002 | | 0.006 |
| A2 | | 0.9 | | | 0.035 | |
| b | 0.17 | | 0.27 | 0.0067 | | 0.011 |
| c | 0.09 | | 0.20 | 0.0035 | | 0.0079 |
| D | 12.4 | | 12.6 | 0.488 | | 0.496 |
| E | | 8.1 BSC | | | 0.318 BSC | |
| E1 | 6.0 | | 6.2 | 0.236 | | 0.244 |
| e | | 0.5 BSC | | | 0.0197 BSC | |
| K | 0° | | 8° | 0° | | 8° |
| L | 0.50 | | 0.75 | 0.020 | | 0.030 |



Tape & Reel TSSOP48 MECHANICAL DATA

| DIM. | mm. | | | inch | | |
|------|------|-----|------|-------|------|--------|
| | MIN. | TYP | MAX. | MIN. | TYP. | MAX. |
| A | | | 330 | | | 12.992 |
| C | 12.8 | | 13.2 | 0.504 | | 0.519 |
| D | 20.2 | | | 0.795 | | |
| N | 60 | | | 2.362 | | |
| T | | | 30.4 | | | 1.197 |
| Ao | 8.7 | | 8.9 | 0.343 | | 0.350 |
| Bo | 13.1 | | 13.3 | 0.516 | | 0.524 |
| Ko | 1.5 | | 1.7 | 0.059 | | 0.067 |
| Po | 3.9 | | 4.1 | 0.153 | | 0.161 |
| P | 11.9 | | 12.1 | 0.468 | | 0.476 |



Information furnished is believed to be accurate and reliable. However, STMicroelectronics assumes no responsibility for the consequences of use of such information nor for any infringement of patents or other rights of third parties which may result from its use. No license is granted by implication or otherwise under any patent or patent rights of STMicroelectronics. Specifications mentioned in this publication are subject to change without notice. This publication supersedes and replaces all information previously supplied. STMicroelectronics products are not authorized for use as critical components in life support devices or systems without express written approval of STMicroelectronics.

© The ST logo is a registered trademark of STMicroelectronics

© 2003 STMicroelectronics - Printed in Italy - All Rights Reserved
STMicroelectronics GROUP OF COMPANIES

Australia - Brazil - Canada - China - Finland - France - Germany - Hong Kong - India - Israel - Italy - Japan - Malaysia - Malta - Morocco
Singapore - Spain - Sweden - Switzerland - United Kingdom - United States.

© <http://www.st.com>